

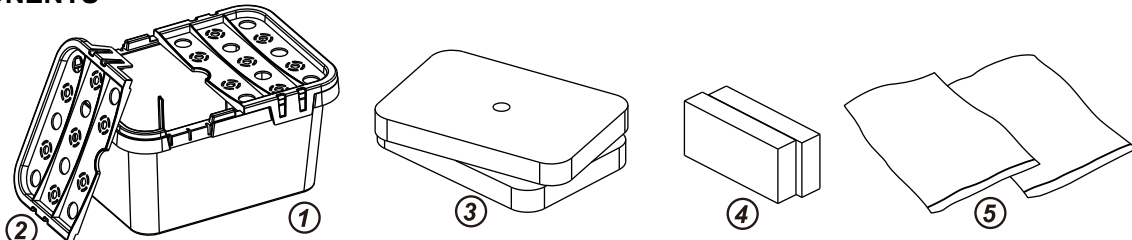
SMART POND FILTER USER'S MANUAL

Item No.: SPF-6.5

1. OVERVIEW

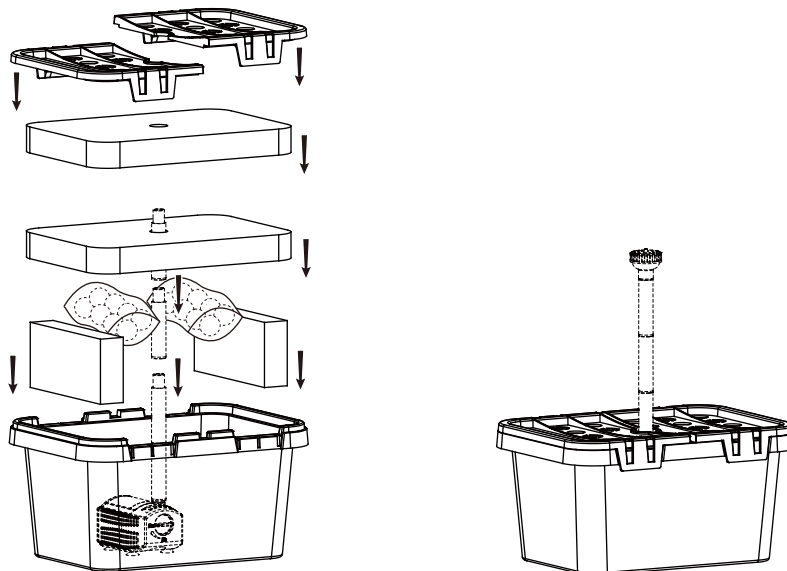
- 1) Designed to work with a fountain pump.
- 2) Structured to hold the fountain pump inside so as to protect the pump from being blocked by pond waste and can keep a well-shaped fountain for longer time.
- 3) Ideal for filtering water to keep the pond clean and healthy.

2. COMPONENTS



1) Plastic bucket 2) Plastic lid 3) Main filter pads 4) Side filter pads 5) Mesh bags

3. ASSEMBLING



- 1) Place the two side filter pads at the proper position.
- 2) Place a fountain pump in the center of the bucket (**Please note that the product contains no pump**).
- 3) If needed, fill the two mesh bags with filter materials such as biological balls, biological rings, or even small cobble-stones, and put it at the sides of the pump (**Please note that the product contains no filter materials**).
- 4) Lay the two main filter pads on the top of the fountain pump with the pump extension tube sticking out from the holes in the filter pads.
- 5) Fit the two plastic lids onto the bucket with the pump cable and fountain extension tube sticking out from the gap between the two plastic lids.
- 6) Hook up the fountain pump to a power supply.
- 7) Put the loaded plastic bucket on the bottom of the water body and start to operate the fountain pump.

Note: please refer to the above figures for the demonstration of the assembly.

4. CLEANING AND MAINTENANCE

- 1) Make sure the filters and the filter materials are not blocked or contaminated by the pond waste, please clean the filters, clean or replace the filter materials when necessary.
- 2) For keeping the fountain pump in good condition, please maintain the pump at regular intervals.

5. PARAMETER DATA

Capacity: 6.5L

Size: 300 x 221 x 161mm