

# *PondMAX*

FOR GARDENS THAT GO THE EXTRA YARD

## PV30HD Pond Vacuum

### INSTRUCTION MANUAL



**AQUATEC**  
EQUIPMENT

DATE  
AUG 2024 v1.2

MODEL  
030V250

## WELCOME TO THE WORLD OF PONDMAX™. YOU MADE THE **RIGHT** CHOICE INVESTING IN THIS **QUALITY** PRODUCT. THANK YOU AND **ENJOY**.

BEFORE USING THIS PRODUCT, PLEASE READ THESE INSTRUCTIONS CAREFULLY AND MAKE YOURSELF FULLY FAMILIAR WITH THE UNIT. PLEASE KEEP THESE INSTRUCTIONS IN A SAFE PLACE FOR FUTURE REFERENCE.

### TECHNICAL SPECIFICATIONS

DESCRIPTION	PV30HD
VOLTS (V)	220 - 240
FREQUENCY (HZ)	50
POWER CONSUMPTION* (W)	1400
IP RATING	IPX4
CONTAINER SIZE (L)	30
MAXIMUM SUCTION HEIGHT	2
SUCTION HOSE LENGTH (M)	4
DRAIN HOSE LENGTH (M)	2
CABLE LENGTH (M)	10
DIMENSIONS (L X W X H)	370 X 370 X 540
WEIGHT (KG)	9.5

\* SUBJECT TO VARIATION ACCORDING TO LOAD

### INTENDED USE

Only use the product described in this manual as follows:

- For pond sludge removal.
- While adhering to the technical specifications.



The following restrictions apply to the unit:

- Never use the unit to collect flammable or toxic substances
- • (e.g. benzene, asbestos, asbestos dust, copier toner),
- • volatile substances,
- • acids,
- • hot or glowing ash,
- • dust, sand or similar dirt.

# PV30HD VACUUM

## DESCRIPTON & FEATURES

Your PondMAX Pond Vacuum has been manufactured with advanced technology to provide you a convenient, painless and efficient solution for routine cleaning of your pond and waterfeature.

- This multi-function pond vacuum is designed for wet applications.
- Comes with a range of nozzles and accessories to meet the most demanding applications.
- Equipped with a 4m suction hose and 2m discharge hose (for wet applications). A 10m power cable further
- compliments the features and convenience of this vacuum.
- Features an automatic fill/drain system as well as a large 30L container holding capacity.
- High performance vacuum with 1400 watt motor
- Switches over automatically between suction and emptying mode.
- 2 Year warranty, see WARRANTY AGAINST DEFECTS clause.



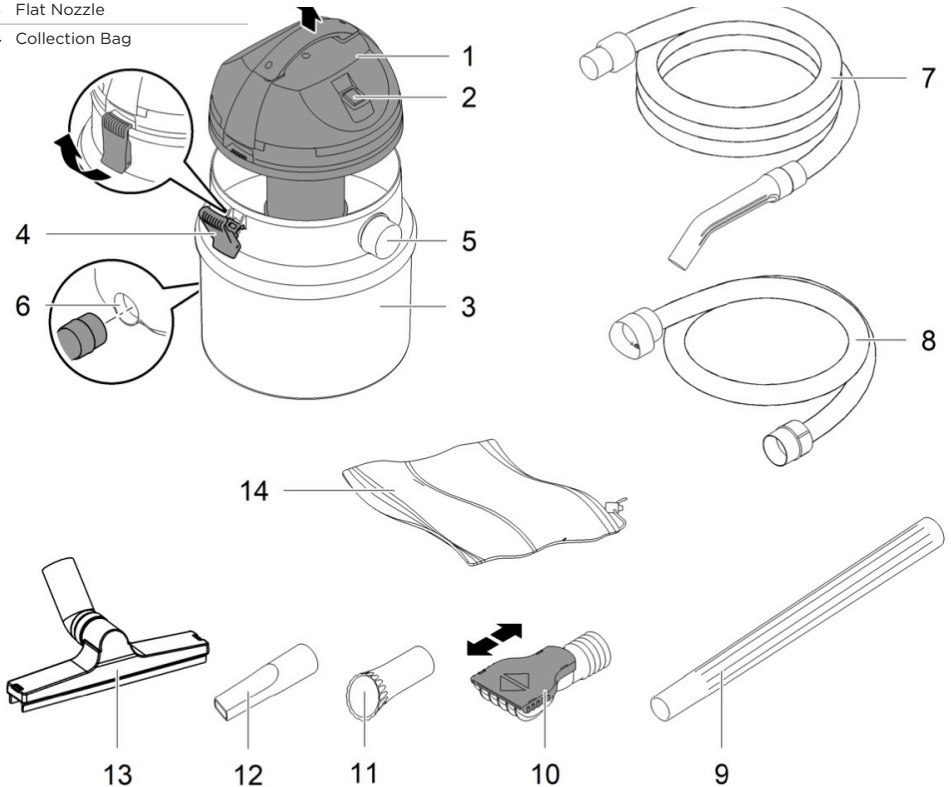
## IMPORTANT SAFEGUARDS

Please read the operating instructions and familiarise yourself with the equipment before placing it in service. Correct and safe use of the system requires strict compliance with the safety instructions. For safety reasons, persons less than 16 years of age or infirm persons that are not familiar with these instructions should not use this equipment.

- Any damage to the equipment or unmerited operation will bring dangers to the surrounding precincts. So if there is any damage of the equipment, it must not be used. The equipment should be placed out of reach of children.
- For your own safety, disconnect from the power supply before any maintenance of any equipment is attempted on the tank or body of water. Always unplug the vacuum from the power supply when not in use. Never pull the cable to disconnect the plug from the power supply - grasp the plug and pull to disconnect. If required, have a qualified electrician install a weatherproof power supply point near to the pond or water-feature (within the cable length of the appliance).
- Do not operate the vacuum if the appliance or any components of the system, such as the power cable, have been damaged. Check appliance for defects regularly.
- Always use a properly grounded power supply that is connected to an RCD with a rated residual operating current not exceeding 30mA. As per AS/NZS 3350.2.41:1997
- To avoid an electric shock, do not attach the plug to the power supply socket with wet hands. The drip loop method should be used to prevent water from traveling down the cable and onto the plug or power supply. If the plug does get wet, do not unplug the cable. Disconnect the circuit breaker that supplies power to the power supply point. Then unplug and examine the plug and power supply point for presence of water. If the power point has become wet, you should consult an electrician before using the power point again.
- Do not install or store the appliance where it will be exposed to extreme hot or cold temperatures. Do not use in water above 35°C.
- Do not cut the cable as this will result in voiding your warranty.
- Care should be taken to arrange the power cable so that it cannot be accidentally tripped over or pulled.
- Do not attempt to repair the electrical appliance yourself. Return to an authorised service centre or place of purchase if a fault occurs (regular maintenance is not considered repair and is required by user).
- Do not operate or leave the unit in the rain.
- Minimum safety distance between the unit and the water: 2 m.
- Never carry out technical changes to the unit and only use original spare parts and accessories.
- Only operate unit if no persons are in the water.
- Extension cables and power distributors (e.g. outlet strips) must be suitable for outdoor use (splash-proof).

## EXPLODED VIEW

- 1 Motor Housing
- 2 On/ Off Switch
- 3 30L Container
- 4 Locking Clip
- 5 Inlet, suction hose connection
- 6 Outlet, drain hose connection
- 7 Suction Hose (4m)
- 8 Drain Hose (2m)
- 9 Extension Tube
- 10 Adjustable Universal Nozzle\*
- 11 Algae Nozzle
- 12 Crevice Nozzle
- 13 Flat Nozzle
- 14 Collection Bag



## Delivery Scope & Unit Configuration

- The parts included in the scope of delivery are inside the container and have to be removed first.

How to proceed:

1. Undo the slide locking clips and remove the motor housing
2. Take all loose parts out of the container
3. Replace the motor housing and close th locking clips.

\*nozzle fully open (10mm): suitable for pondliner, no pebbles at the bottom of the pond, thick layer of sludge

\*nozzle closed (2mm): suitable for pondliner, layer of pebbles at the bottom of the pond, thick layer of sludge

# PV30HD VACUUM

## OPERATION

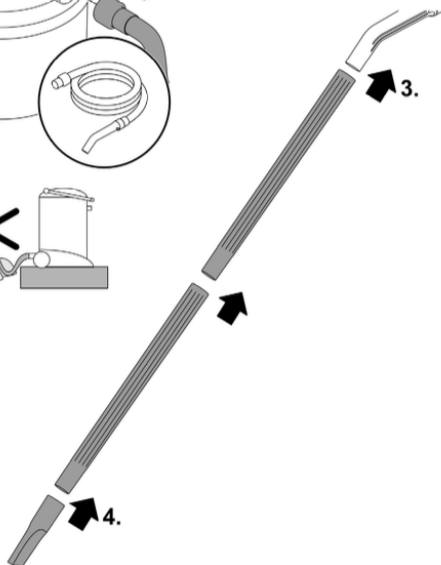
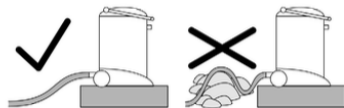
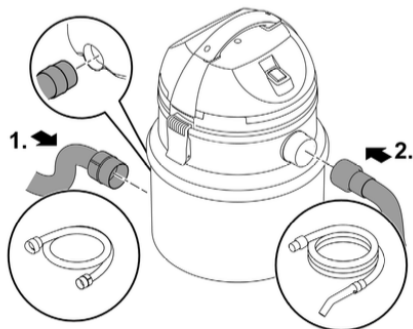
### Installing the unit

- Place the unit at least 2 m from the pond and above the water level.
- Place the unit on level ground so that it is securely positioned and cannot tip over.

### Establishing the connections

How to proceed:

1. Attach the drain hose to the outlet fitting on the container.
- Route the drain hose with anti siphon to ensure that the extracted water can drain via gravity.
2. Attach the suction hose to the inlet fitting on the container.
  3. Fit the extension tubes to the suction hose.
  4. Fit the desired nozzle to the end of the extension tube.
- Adjust the universal nozzle to the pond floor conditions.



### Use as sludge remover

- The operating modes "suction" and "emptying" each last approx. 25 s. The unit switches over automatically between the operating modes.

Sequence of a cycle:

1. The unit is in suction mode.
2. The unit is switched off.
3. The stop valve at the outlet opens and the dirty water runs out.
4. The unit is switched on again.

How to proceed:

1. Connect the unit to the power supply and switch on.
  2. Guide the universal nozzle to the floor of the pond.
  3. Move the nozzle with slow and uniform movements to vacuum up the sludge.
- turn the floor nozzle through 180 degrees to vacuum up thin layers of sludge or to clean rigid preformed pond liners.
4. Switch unit off after use.

## MAINTENANCE AND CLEANING

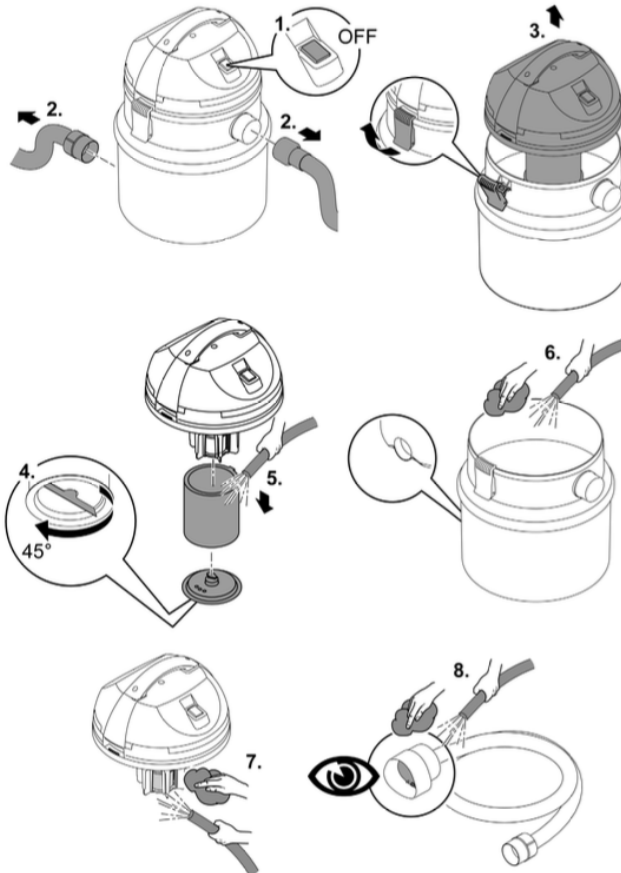
### How to proceed:

1. Switch off the unit and disconnect the power plug.
  2. Disconnect the hoses.
  3. Undo the side locking clips and remove the motor housing.
  4. Undo the filter holder.
  5. Remove the filter and rinse under running water.
- If the filter is damaged, replace it with an original filter.
6. Clean the container.

7. Clean the bottom of the motor housing.
8. Check the rubber valve in the drain hose and clean.
9. Reassemble the unit in the reverse order.

### Storage/winter protection

- Empty out the collection container and clean the unit. Store in a dry, frost protected room, inaccessible to children.



# PV30HD VACUUM

## TROUBLESHOOTING

Problem	Reason	Solution
THE UNIT DOES NOT PERFORM ITS SUCTION FUNCTION	Drain hose incorrectly fitted	The non-return valve must be located at the free end of the drain hose
	Excessive height difference between water level and unit	Places the unit at water level height
THE UNIT DOES NOT REACH ITS FULL CAPACITY	Dirt has accumulated in the foam filter, in the suction tube or in the suction hose	Remove soiling
	Dirt has accumulated in the area of the non-return valve at the drain hose preventing it from closing properly	Remove soiling
WATER PUMP IS NOISY	The collection container cannot drain	Lay the drain hose without kinks. Provide slight gravity for the drain hose. After draining, almost no water should remain in the collection container.
	Collection container and drain hose are soiled	Remove soiling
LOW SUCTION CAPACITY	The more tubes are used, the higher the tube frictional resistance. The suction capacity reduces.	Hold the suction hose as flat as possible to improve the suction performance

## LIMITED WARRANTY 2 YEAR

- Warranty covers only appliance defects and faulty material and workmanship within a 2 year period.
  - Faults arising due to accidents, misuse, not following manufacturer's guidelines/ instructions or power surges/spikes/brownouts will not be covered.
  - The impeller set is a consumable item and is therefore not covered under warranty.
  - Warranty will be void if any tampering, removal of warranty labels or electrical circuitry is evident.
  - Warranty will be void if the power cord is cut or damaged in any way.
  - Warranty will be void if any visible signs of overheating are present.
  - Loss of livestock, damage to property or personal injury caused by this product will not be covered.
  - Warranty claims caused by installation faults will not be covered.
  - It is the customer's responsibility to return the faulty appliance for any warranty claim, to Aquatec.
  - For any warranty to be valid, an original proof of purchase must be provided.
- Our goods come with guarantees that cannot be excluded under the Australian Consumer Law. You are entitled to a replacement or refund for a major failure and for compensation for any other reasonably foreseeable loss or damage. You are also entitled to have the goods repaired or replaced if the goods fail to be of acceptable quality and the failure does not amount to a major failure.
  - **A warranty claim must be made within 2 years of the date of purchase.**

Please consult your retailer for quality original PondMAX replacement parts.

Visit [www.aquatecequipment.com](http://www.aquatecequipment.com) for your nearest stockists.

E.&O.E.